

PV fuse bases

Fuse bases for PV applications

for NH gPV fuses from 32 to 500 A, up to 1500 VDC



Base
size 1, 1000 VDC



Base
size 3L, 1500 VDC

The solution for

- > Small installations up to large PV farms



Strong points

- > Improved safety
- > Product dedicated to PV applications
- > Fuse blown indication
- > Different fixing types

Conformity to standards

- > IEC 60269
- > NF EN 60269-1
- > VDE 0636-10
- > DIN 43620



Function

SOCOMECEC **fuse bases** provide fixed, unipolar or multipolar support for knife edge fuses dedicated to PV applications.

Advantages

Improved safety

- Rated voltage of 1000 or 1500 VDC.
- Self-extinguishing thermoplastic material.
- Kit IP2X (depending on models).

Product dedicated to PV applications

Protection against reverse currents thanks to gPV fuses dedicated to PV applications.

Fuse blown indication

Possibility to collect the fuse blown indication (Please see section PV fuses).

Different fixing types

DIN rail or back plate mounting available (depending on models).

References

Back plate mounted device

Rating Fuse size No. of poles	200 A NH1 / 1000 VDC Reference	250 A NH2 / 1000 VDC Reference	400 A NH3 / 1000 VDC Reference	500 A 3L / 1500 VDC Reference
1 P	65PV 1011	65PV 1002	65PV 1003	65PV 1113

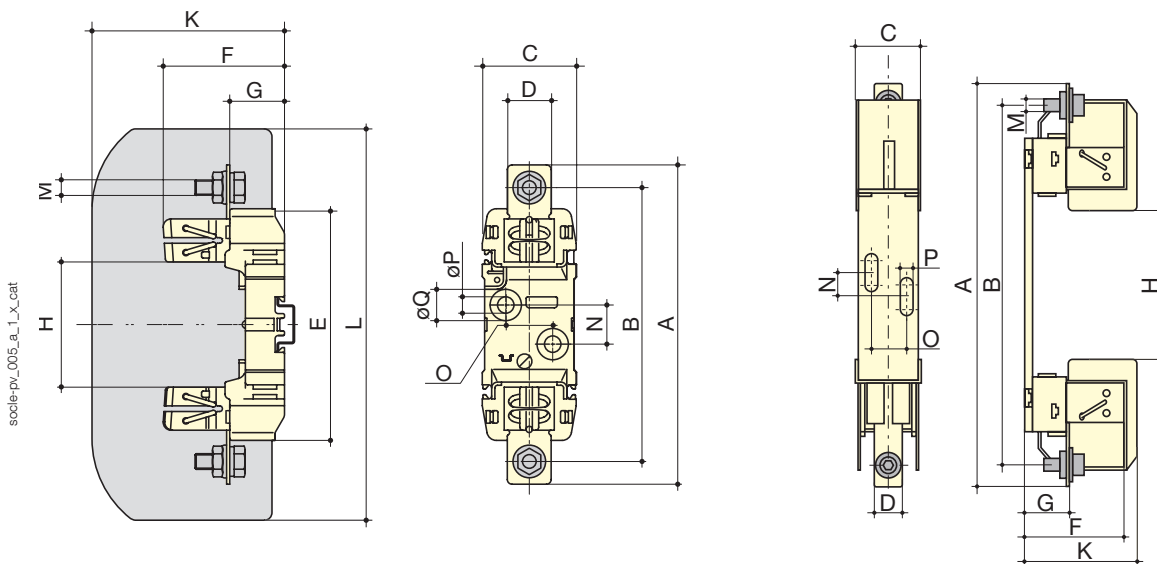
Accessories for NH1 fuses	Reference	Reference	Reference
Connecting block - set of 1 piece	6500 0031	6500 0031	6500 0032
Phase separation shield - set of 1 piece	6500 0003	6500 0003	6500 0004
Terminal shrouds - set of 1 piece	6500 0012	6500 0013	6500 0014
Fuse cover - set of 1 piece	6500 0022	6500 0022	6500 0023
Kit IP20 1 P	6511 1011 ⁽¹⁾	6511 1012	6511 1013

(1) IP20 single-pole kit consisting of 2 connecting blocks, 2 phase separation shields, 2 terminal shrouds and 1 fuse cover. Not compatible with C.A.

Dimensions

200 to 160 A - NH1, NH2 & NH3 size / 1000

500 A - 3L size / 1500 VDC



Rating (A)	Fuse size	A	B	C	D	E	F	G	H	K	L	M	N	O	P	Q
200	NH1	200	175	60	28	148	77.5	35	80	123	250	M10	25	30	10.5	20.5
250	NH2	225	200	60	32	148	88	35	80	123	250	M12	25	30	10.5	20.5
400	NH3	240	210	60	38	148	97	35	80	143	270	M12	25	30	10.5	20.5
500	3L	307	270	68	40	-	103	38	140	-	-	M12	25	30	10.5	-