



QUICK START **EN** 125 A - 630 A

# ATyS / ATyS r

Motorised Source Changeover Switch

## Preliminary operations

Check the following upon delivery and after removal of the packaging:

- Packaging and contents are in good condition.
- The product reference corresponds to the order.
- Contents should include:
  - Qty 1 x ATyS / ATyS r
  - Qty 1 x Emergency handle and fixing clip
  - Quick Start instruction sheet

## Warning

**⚠** Risk of electrocution, burns or injury to persons and / or damage to equipment.

This Quick Start is intended for personnel trained in the installation and commissioning of this product. For further details refer to the product instruction manual available on the SOCOMEC website.

- This product must always be installed and commissioned by qualified and approved personnel.
- Maintenance and servicing operations should be performed by trained and authorised personnel.
- Do not handle any control or power cables connected to the product when voltage may be, or may become present on the product, directly through the mains or indirectly through external circuits.
- Always use an appropriate voltage detection device to confirm the absence of voltage.
- Ensure that no metal objects are allowed to fall in the cabinet (risk of electrical arcing).

- For 125 - 160 A (Uimp = 8 kV). Terminations must respect a minimum of 8 mm clearance from live parts to parts intended to be earthed and between poles.
- For 200 - 630 A (Uimp = 12 kV). Terminations must respect a minimum of 14 mm clearance from live parts to parts intended to be earthed and between poles.

Failure to observe good engineering practises as well as to follow these safety instructions may expose the user and others to serious injury or death.

**⚠** Risk of damaging the device  
In case the product is dropped or damaged in any way it is recommended to replace the complete product.

## Accessories

- Bridging bars and connection kits.
- Control voltage transformer (400 VAC → 230 VAC).
- DC power supply (12/24 VDC → 230 VAC).
- Phase barriers.
- Terminal shrouds.
- Terminal screens.
- Auxiliary contacts (Additional).
- Padlocking in 3 positions (I - 0 - II).
- Lockout accessories (RONIS - EL 11 AP).
- Door escutcheon frame.
- ATS controller ATyS C25.
- ATS controller ATyS C55 or C65.

For further details refer to the product instruction manual under chapter "Spares and Accessories".



[www.socomec.com](http://www.socomec.com)  
To download, brochures, catalogues and technical manuals:  
[https://www.socomec.com/operating-instructions\\_en.html](https://www.socomec.com/operating-instructions_en.html)

## Installation and Commissioning

**STEP 1**  
Cabinet / Back Plate Installation

**STEP 2**  
Connecting the POWER section

**STEP 3**  
COMMAND / CONTROL terminal connections

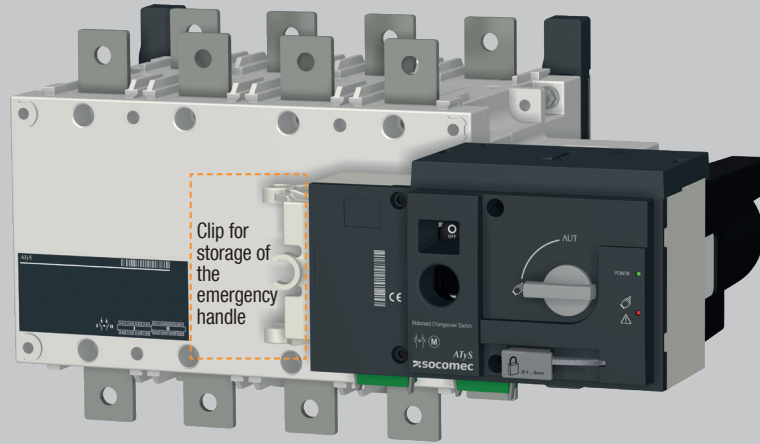
**STEP 4**  
Power SUPPLY terminal connections

**STEP 5**  
CHECK

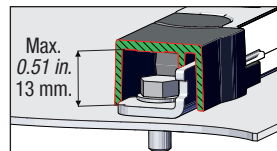
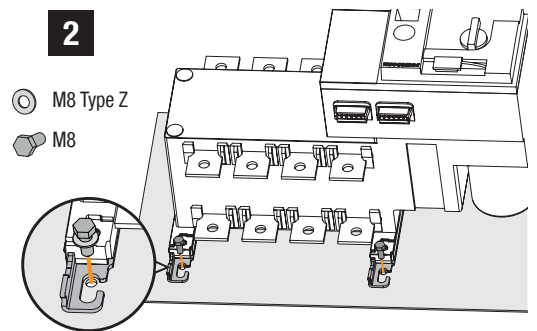
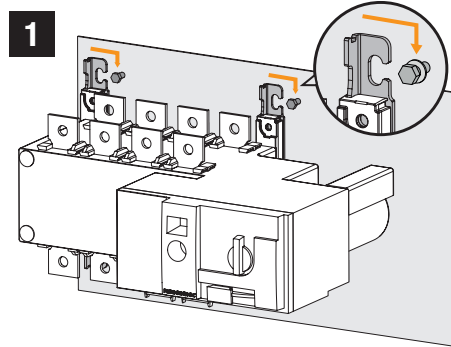
**STEP 6A**  
Control by an external order (AUTO)

**STEP 6B**  
Emergency Manual Operation

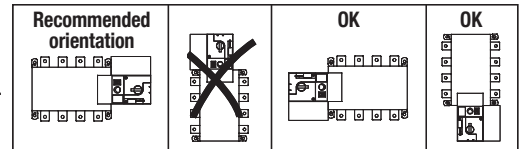
**STEP 6C**  
Padlocking



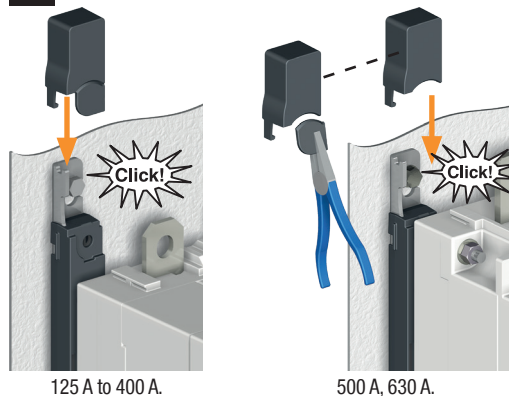
## STEP 1 Installation



**⚠** Caution: ensure that the product is installed on a flat rigid surface.



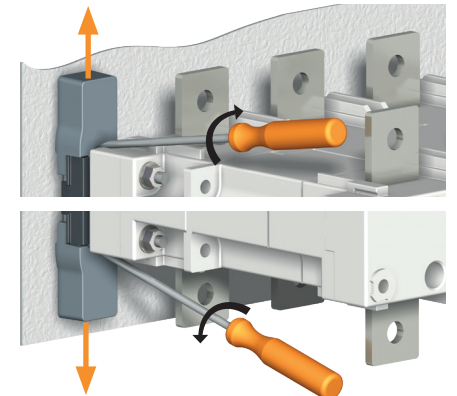
## 3 Mounting



125 A to 400 A.

500 A, 630 A.

## Removing covers



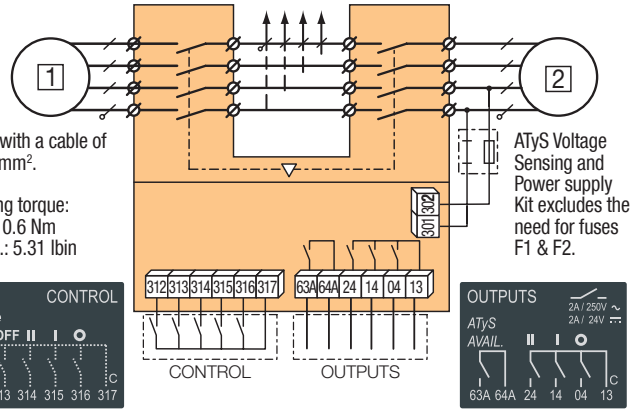
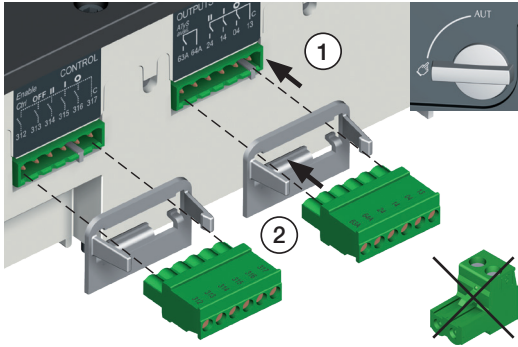
## STEP 2 Power Terminal Connections

To be connected using terminal lugs, rigid or flexible busbars.

	FRAME B3			FRAME B4			FRAME B5	
	125 A	160 A	200 A	250 A	315 A	400 A	500 A	630 A
Minimum cable section Cu (mm <sup>2</sup> )	35	35	50	95	120	185	2x95	2x120
Recommended Cu busbar cross-section (mm <sup>2</sup> )	-	-	-	-	-	-	2x32x5	2x40x5
Maximum Cu cable cross-section (mm <sup>2</sup> )	50	95	120	150	240	240	2x185	2x300
Maximum Cu busbar width (mm)	25	25	25	32	32	32	50	50
Type of screw	M8	M8	M8	M10	M10	M10	M12	M12
Recommended tightening torque (lb.in/N.m)	73.46/8.3	73.46/8.3	73.46/8.3	177.02/20	177.02/20	177.02/20	354.04/40	354.04/40
Maximum tightening torque (lb.in/N.m)	115.06/13	115.06/13	115.06/13	230.13/26	230.13/26	230.13/26	398.30/45	398.30/45

### STEP 3 CONTROL / COMMAND Terminals

Ensure that the product is in Manual Mode.



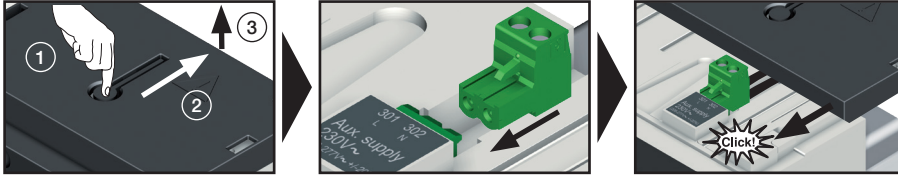
Connect the product with a cable of section of 1,5 to 2,5 mm<sup>2</sup>.

Screw M3 - Tightening torque:  
min.: 0.5 Nm - max.: 0.6 Nm  
min.: 4.43 lbin - max.: 5.31 lbin

ATyS Voltage Sensing and Power supply Kit excludes the need for fuses F1 & F2.

### STEP 4 Power Supply Terminal

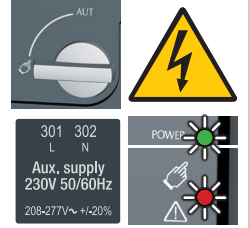
Remove the Top cover to access and connect the terminal - Replace the cover before putting in service.



### STEP 5 Check

Whilst in manual mode, check the wiring and if ok power up the product.

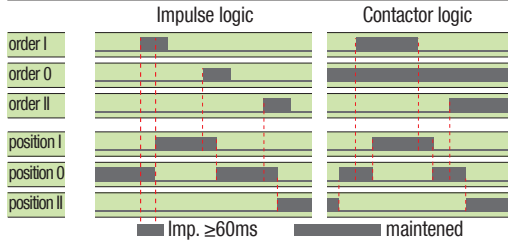
LED "Power" Green: ON  
LED Manuel/Default Red (Product not Available): ON



### STEP 6A Automatic Operation

Ensure that the emergency handle is not inserted in the product and turn the mode selector to the AUT position.

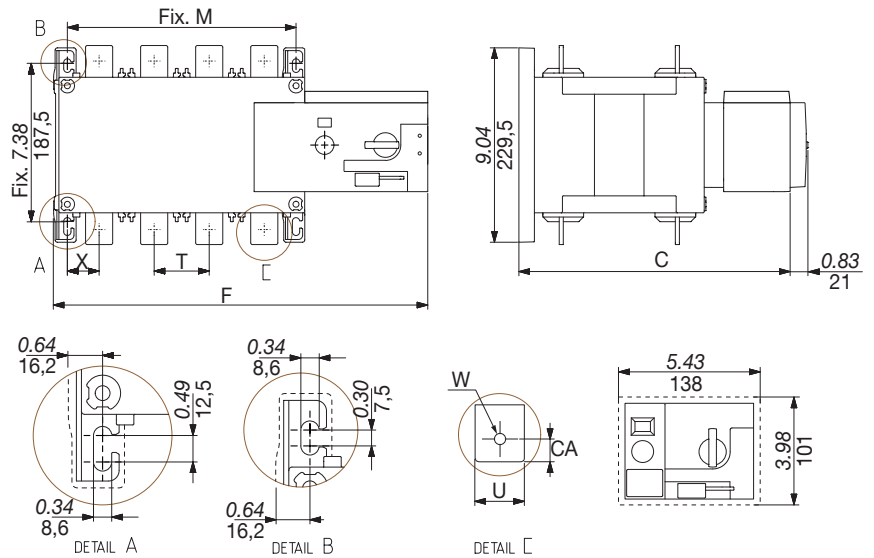
LED "Power" Green: ON  
LED Manuel/Default: OFF



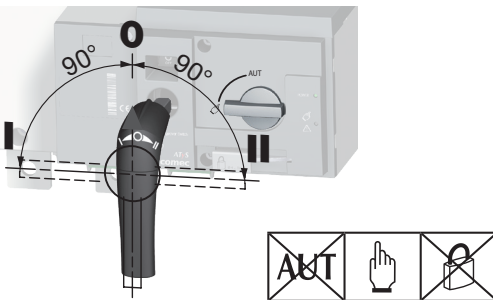
To enable control, close contact 312 with 317.  
To force the product to 0 position/OFF bridge the contact 313 with 317. For contactor logic bridge contact 316 with 317. To operate: close the contact corresponding to the desired position.



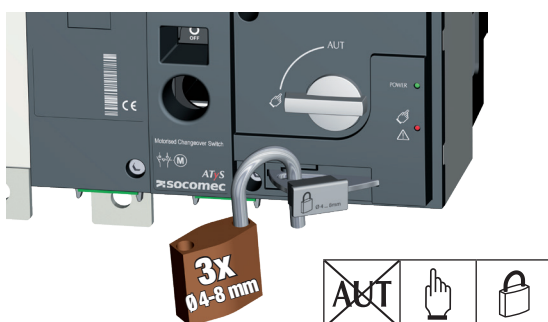
### Dimensions in./mm.



### STEP 6B Manual Operation



### STEP 6C Padlocking Mode (as standard : in position O)



	125 A		160 A		200 A		250 A	
	3 P	4 P	3 P	4 P	3 P	4 P	3 P	4 P
	in	mm	in	mm	in	mm	in	mm
C	9.61	244	9.61	244	9.61	244	9.61	244
CA	0.39	10	0.39	10	0.39	10	0.39	10
F	11.28	286,5	12.48	317	11.28	286,5	12.48	317
M	4.72	120	5.91	150	4.72	120	5.91	150
T	1.42	36	1.42	36	1.42	36	1.42	36
U	0.79	20	0.79	20	0.79	20	0.79	20
W	0.35	9	0.35	9	0.35	9	0.35	9
X	1.10	28	0.87	22	1.10	28	0.87	22

	315 A		400 A		500 A		630 A	
	3 P	4 P	3 P	4 P	3 P	4 P	3 P	4 P
	in	mm	in	mm	in	mm	in	mm
C	9.61	244	9.61	244	12.64	321	12.64	321
CA	0.59	15	0.59	15	0.59	15	0.59	15
F	12.91	328	14.88	378	12.91	328	14.88	378
M	6.30	160	8.27	210	6.30	160	8.27	210
T	1.97	50	1.97	50	1.97	50	1.97	50
U	1.38	35	1.38	35	1.38	35	1.38	35
W	0.43	11	0.43	11	0.43	11	0.43	11
X	1.30	33	1.30	33	1.30	33	1.30	33